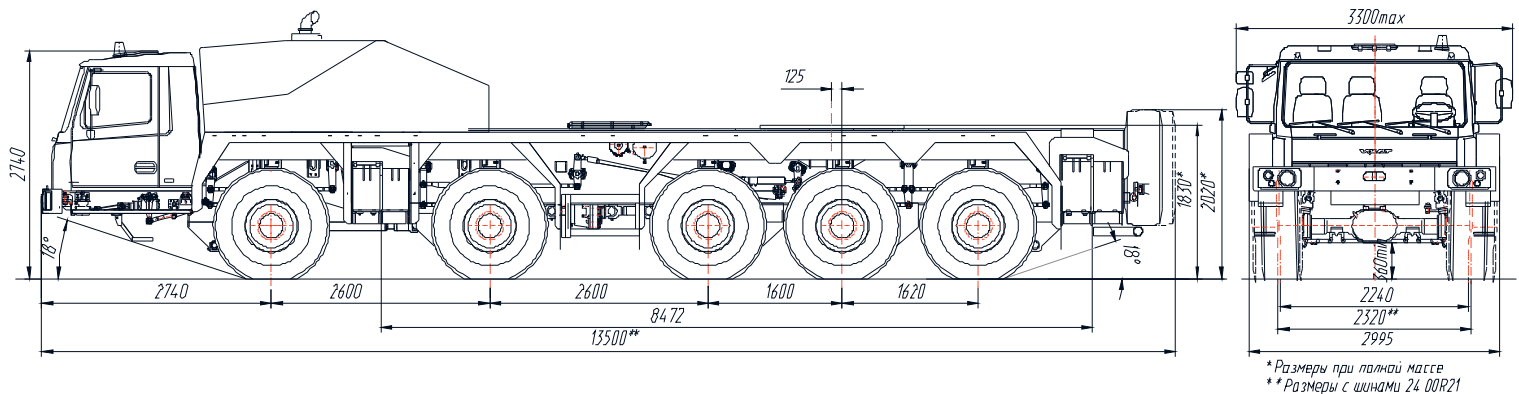


# VOLAT



CRANE CHASSIS  
MZKT-790200

VEHICLES OVERCOMING ALL OBSTACLES



## SPECIFICATIONS

### PERFORMANCE DATA

Wheel drive	10x10
Max. speed, km/h	70
Turning radius, m	11
Fuel tank capacity, l	350
Gradeability, %	25

### WEIGHT DATA

Curb vehicle weight, kg	27 000
Gross vehicle weight, kg	65 000
Permissible weight on axles, kg	
1-2 axles	2x13 000
3-5 axles	3x13 000
Weight of mounted equipment, kg	38 000

### ENGINE

TMZ-8431.10, EURO-IV, diesel, V8,  
max. power - 345 kW (470 h.p.), max. torque - 1860 Nm

### CLUTCH

Single-disc

### TRANSMISSION

Type	hydromechanical
Number of gears	6 forward, 1 reverse
Gear ratio	4.7-0.67; R5.55

### BRAKE SYSTEM

Dual-circuit pneumatic system  
ABS  
Engine brake

### TYRES

Multipurpose protector	
Pent busbar	
Central tyre inflation system	
16.00 R20	
Quantity	10+1

### PAMA

Longitudinal  
Includes outrigger joist and round support for crane equipment

### CAB

Full-metal  
1 berth  
Pneumatic driver seat

### OPTIONS

Liquid engine heater  
Heated fuel filter Separ  
Autonomic cab heater  
Fuel intake heating  
Air conditioner  
Head lamp protection  
Pneumatic passenger seat  
Cab front panel heater  
Spot lamp