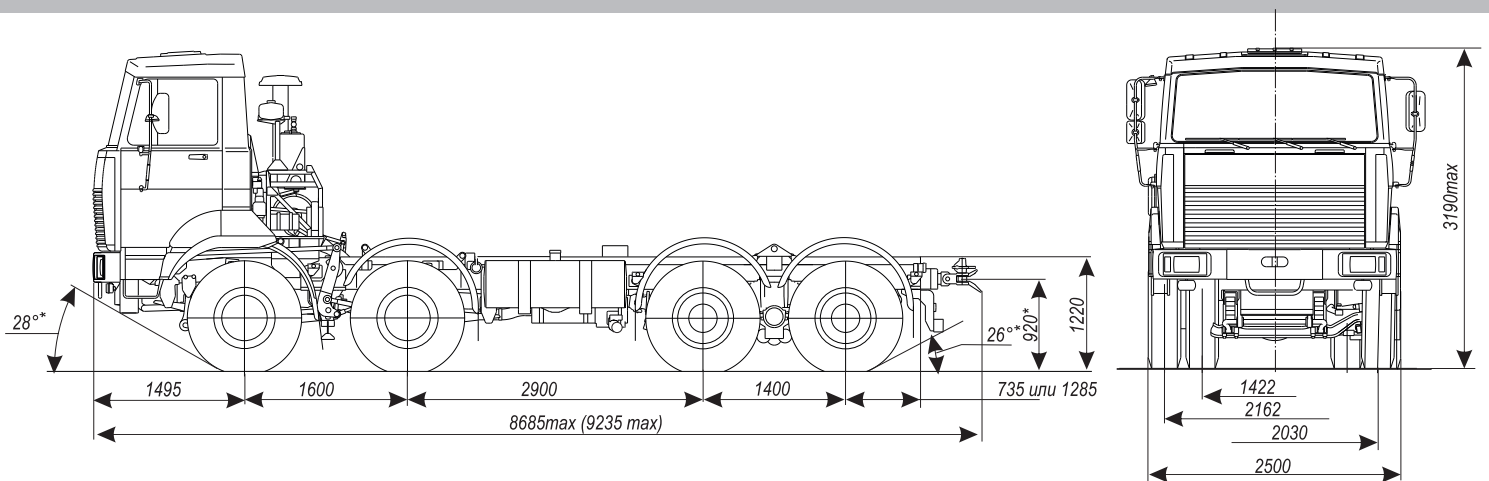


VOLAT



TRUCK CHASSIS
MZKT-692371

V E H I C L E S O V E R C O M I N G A L L O B S T A C L E S



SPECIFICATIONS

PERFORMANCE DATA

Wheel drive	8x4
Max. speed, km/h	75
Turning radius, m	11.5
Fuel tank capacity, l	350

WEIGHT DATA

Curb vehicle weight, kg	12 000
Gross vehicle weight, kg	30 000
Permissible weight on axles, kg	
front axles	2x7 000
rear axles	2x8 000
Weight of mounted equipment, kg	18 000

ENGINE

YaMZ-7511.10, EURO-II, diesel, V8,
max. power - 294 kW (400 h.p.), max. torque - 1715 Nm

CLUTCH

Single-disc

TRANSMISSION

Type	manual
Number of gears	9 forward, 1 reverse
Gear ratio	10.08-0.795; R9.55

BRAKE SYSTEM

Dual-circuit pneumatic system
ABS
Engine brake

TYRES

Gable busbar	
12.00 R20	
Quantity	12

FRAME

Longitudinal

CAB

Full-metal
2-door, 2-seat
Spring suspension cab

OPTIONS

Liquid engine heater
Fuel intake heating
Head lamp protection
Enforced steel bumper
Pneumatic suspension cab