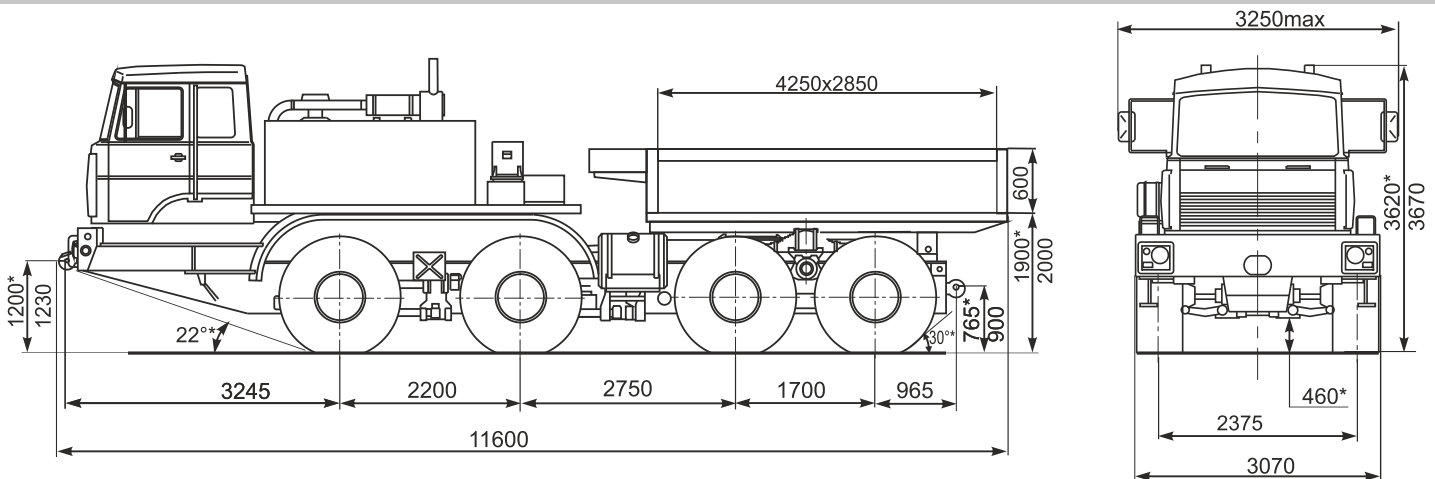


VOLAT



BALLAST TRACTOR
MZKT-741320

VEHICLES OVERCOMING ALL OBSTACLES



SPECIFICATIONS

PERFORMANCE DATA

Wheel drive	8x8
Max. speed, km/h	62
Turning radius, m	16
Fuel tank capacity, l	3x385
Gradeability, %	30

WEIGHT DATA

Curb vehicle weight, kg	27 250
Gross vehicle weight, kg	42 400
Permissible weight on axles, kg	
1st and 2nd	2x10 600
3rd and 4th	2x10 600
Ballast weight, kg	15 000
Gross combination weight, kg	142 000

ENGINE

Model	YaMZ-8401.10-14
Engine heater	PZhD-600I
Number and location of cylinders	V12
Max. power	478 kW (650 h.p.) at 2 100 min ⁻¹
Max. torque	2 240 Nm

TRANSMISSION

Type	automatic
Model	MZKT-74131
Number of gears	4 forward, 2 reverse
Gear ratio	6.23-1.00

TRANSFER CASE

2-speed, with interlocking differential

DRIVING AXLES

Split, with central reduction gears, interaxle and cross-axle differential lock
1st and 2nd axles - steered

AXLE SUSPENSION

1st and 2nd axles - independent torsion-bar
3rd and 4th axles - independent spring-balanced

BRAKE SYSTEM

Drum brakes of shoe-type with air-hydraulic drive
Dual-circuit system
Engine break

TYRES

1600x600-685, offroad
Central tyre inflation system (CTIS)
Number of wheels - 8+1

FRAME

Longitudinal
Equipped with front and rear towing units

CAB

2-seat full-metal, 2 sleeping berths
Equipped with ventilation and heating systems, flashing beacons
Driver seat - air-suspended

BALLAST AREA

Full-metal